

All rights reserved by **CNH Industrial**.

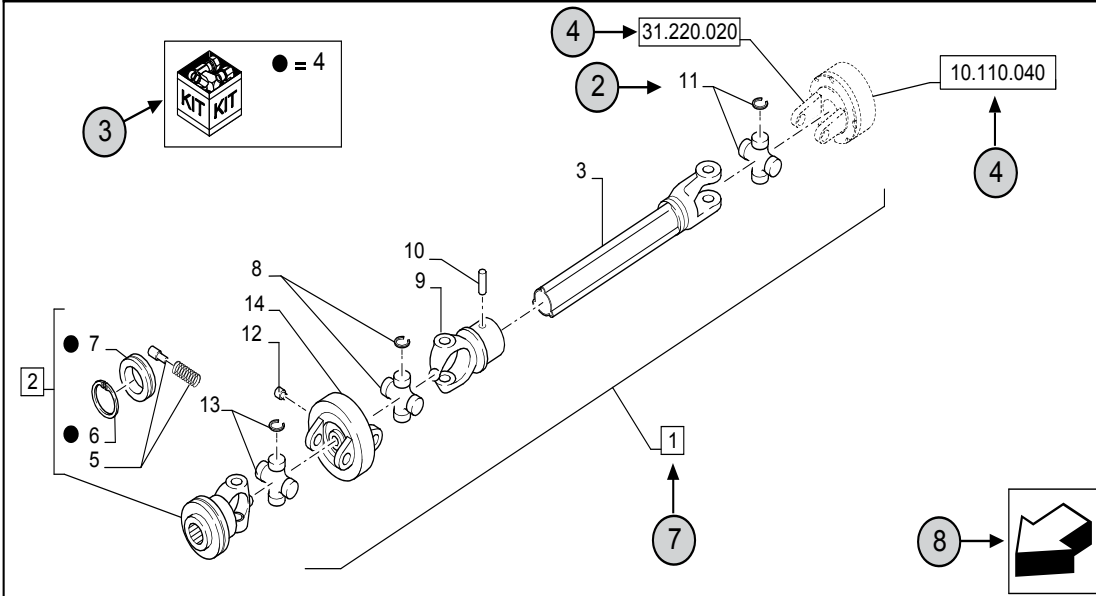
The information contained in this catalogue is intended to be of a general nature only. **CNH Industrial** may at any time and from time to time, for technical or other necessary reasons, modify any of the details or specifications of the product described in this catalogue.

To be sure of getting accurate, detailed and up-to-date information, an intending buyer should consult his nearest **CNH Industrial** dealer or distributor.

Single item numeration method used in this catalogue may not be used without written consent from **CNH Industrial**

31.220.010	01	p1	10/2014
------------	----	----	---------

VAR - 123782, 789101,987654 - PTO - D650



STANDARD ← 6

23	9	10	31.220.010	01	p1	10/2014
----	---	----	------------	----	----	---------

VAR - 123782, 789101,987654 - PTO - D650

11 12 13 14

REF	FN	PART NUMBER	YR/SN	QTY	DESCRIPTION
1	1	86529340	20	1	SHAFT PTO, Incl 2 - 11
2	15	84014007		1	YOKE, Incl 4 - 7 ← 7
3	16	NSS		1	NOT SERVICED SEPARATELY, SHAFT, 350mm, Incl in 1
4		84004292		1	KIT, Seal Kit, Incl 6, 7 ← 17
4		{84058743}		1	KIT, Seal Kit, Incl 6, 7
2				21	
18				22	
19					
		1 = FOR ITALY ONLY ← 5			

MODELS ← 1


- 1 Model Number and Model Description
- 2 Reference - Figure call-out of the part number.
- 3 Parts supplied in repair kits per symbol reference.
- 4 31.220.020 Part illustrated on the **Page** or in the **Figure** indicated, or calls for **Variations** or **Details**. Indicates components shown in detail elsewhere in the catalogue under the figure number shown.
- 5 Footnote references
- 6 Figure notes
- 7 1 2 Includes item(s) (See Description within partlist).
- 8 Orientation. (Arrow indicates front of the machine). 
- 9 Figure description.
- 10 General information of the figure.
- 11 Figure title number that aligns with the SRT. Standard Repair Time.
- 12 **Sequence** code within the assembly.
- 13 Page number within the sequence code.
- 14 **Date** of printing or updating of page (month-year).
- 15 **Note** - Relating to the Part Number. There is a key to symbols and abbreviations at the bottom of the text page.
- 16 Non-serviced parts.
- 17 Further description of the part to help confirm identification.
- 18 Not available as service part.
- 19 Part Number.
- 20 To be defined.
- 21 Total **Quantity** of the Part referred to in the page.
The quantity can be replaced by the following indications:
AR = quantity as requested.
- 22 Part **Description**.
- 23 Variant Codes

TABLE OF CONTENTS

00.000.00		PICTORIAL INDEX - MAIN SECTIONS
00.000.05		PICTORIAL INDEX - SERVICE & MAINTENANCE
00.000.10	01	PICTORIAL INDEX - ENGINE
00.000.10	02	PICTORIAL INDEX - ENGINE
00.000.18		PICTORIAL INDEX - CLUTCH
00.000.21	01	PICTORIAL INDEX - TRANSMISSION
00.000.21	02	PICTORIAL INDEX - TRANSMISSION
00.000.21	03	PICTORIAL INDEX - TRANSMISSION
00.000.21	04	PICTORIAL INDEX - TRANSMISSION
00.000.21	05	PICTORIAL INDEX - TRANSMISSION
00.000.23	01	PICTORIAL INDEX - FOUR WHEEL DRIVE SYSTEM
00.000.23	02	PICTORIAL INDEX - FOUR WHEEL DRIVE SYSTEM
00.000.25	01	PICTORIAL INDEX - FRONT AXLE SYSTEM
00.000.25	02	PICTORIAL INDEX - FRONT AXLE SYSTEM
00.000.25	03	PICTORIAL INDEX - FRONT AXLE SYSTEM
00.000.25	04	PICTORIAL INDEX - FRONT AXLE SYSTEM
00.000.25	05	PICTORIAL INDEX - FRONT AXLE SYSTEM
00.000.27		PICTORIAL INDEX - REAR AXLE SYSTEM
00.000.31	01	PICTORIAL INDEX - IMPLEMENT POWER TAKE-OFF
00.000.31	02	PICTORIAL INDEX - IMPLEMENT POWER TAKE-OFF
00.000.31	03	PICTORIAL INDEX - IMPLEMENT POWER TAKE-OFF
00.000.33	01	PICTORIAL INDEX - BRAKES & CONTROLS
00.000.33	02	PICTORIAL INDEX - BRAKES & CONTROLS
00.000.33	03	PICTORIAL INDEX - BRAKES & CONTROLS
00.000.33	04	PICTORIAL INDEX - BRAKES & CONTROLS
00.000.33	05	PICTORIAL INDEX - BRAKES & CONTROLS
00.000.35	01	PICTORIAL INDEX - HYDRAULIC SYSTEMS
00.000.35	02	PICTORIAL INDEX - HYDRAULIC SYSTEMS
00.000.35	03	PICTORIAL INDEX - HYDRAULIC SYSTEMS
00.000.35	04	PICTORIAL INDEX - HYDRAULIC SYSTEMS
00.000.35	05	PICTORIAL INDEX - HYDRAULIC SYSTEMS
00.000.35	06	PICTORIAL INDEX - HYDRAULIC SYSTEMS
00.000.35	07	PICTORIAL INDEX - HYDRAULIC SYSTEMS
00.000.35	08	PICTORIAL INDEX - HYDRAULIC SYSTEMS
00.000.37	01	PICTORIAL INDEX - HITCHES, DRAWBARS AND IMPLEMENT COUPLINGS
00.000.37	02	PICTORIAL INDEX - HITCHES, DRAWBARS AND IMPLEMENT COUPLINGS

TABLE OF CONTENTS

00.000.37	03	PICTORIAL INDEX - HITCHES, DRAWBARS AND IMPLEMENT COUPLINGS
00.000.37	04	PICTORIAL INDEX - HITCHES, DRAWBARS AND IMPLEMENT COUPLINGS
00.000.39		PICTORIAL INDEX - FRAMES AND BALLASTING
00.000.41	01	PICTORIAL INDEX - STEERING
00.000.41	02	PICTORIAL INDEX - STEERING
00.000.44	01	PICTORIAL INDEX - WHEELS, FRONT
00.000.44	02	PICTORIAL INDEX - WHEELS, REAR
00.000.50	01	PICTORIAL INDEX - CAB CLIMATE CONTROL
00.000.50	02	PICTORIAL INDEX - CAB CLIMATE CONTROL
00.000.55	01	PICTORIAL INDEX - ELECTRICAL SYSTEMS
00.000.55	02	PICTORIAL INDEX - ELECTRICAL SYSTEMS
00.000.55	03	PICTORIAL INDEX - ELECTRICAL SYSTEMS
00.000.55	04	PICTORIAL INDEX - ELECTRICAL SYSTEMS
00.000.55	05	PICTORIAL INDEX - ELECTRICAL SYSTEMS
00.000.55	06	PICTORIAL INDEX - ELECTRICAL SYSTEMS
00.000.55	07	PICTORIAL INDEX - ELECTRICAL SYSTEMS
00.000.55	08	PICTORIAL INDEX - ELECTRICAL SYSTEMS
00.000.55	09	PICTORIAL INDEX - ELECTRICAL SYSTEMS
00.000.82		PICTORIAL INDEX - FRONT LOADER AND BUCKET
00.000.88		PICTORIAL INDEX - ACCESSORIES
00.000.90	01	PICTORIAL INDEX - PLATFORM, CAB, BODYWORK AND DECALS
00.000.90	02	PICTORIAL INDEX - PLATFORM, CAB, BODYWORK AND DECALS
00.000.90	03	PICTORIAL INDEX - PLATFORM, CAB, BODYWORK AND DECALS
00.100.01	02	IDENTIFICATION PLATES AND VERSION LIST
00.100.04	06	OPTIONAL EQUIPMENT
00.100.04	07	OPTIONAL EQUIPMENT
00.100.04	08	OPTIONAL EQUIPMENT
00.100.04	09	OPTIONAL EQUIPMENT
00.100.04	10	OPTIONAL EQUIPMENT
05.000.00		SECTION INDEX - SERVICE & MAINTENANCE
05.100.01		INITIAL STOCKING LIST (LIST A)
05.100.02		INITIAL STOCKING LIST (LIST B)
05.100.03		CAPACITIES
05.100.04	01	MAINTENANCE PARTS - FILTERS
05.100.04	02	MAINTENANCE PARTS - STARTER MOTOR, ALTERNATOR, BELTS
05.100.04	03	MAINTENANCE PARTS - FUSES

TABLE OF CONTENTS

05.100.04	04	MAINTENANCE PARTS - BULBS
05.100.04	05	MAINTENANCE PARTS - PUMPS
10.000.00	01	SECTION INDEX - ENGINE
10.000.00	02	SECTION INDEX - ENGINE
10.001.AD		VAR - 391130, 758000 - ENGINE, ASSY
10.001.AK		VAR - 391130, 392753, 758000 - ENGINE, SUPPORT, PIN
10.103.AH		VAR - 391130, 392753, 758000 - FLYWHEEL
10.202.AB		VAR - 391130, 392753, 758000 - AIR CLEANER, COMPONENTS
10.202.AH	01	VAR - 391215, 758207, 758208, 758210, 758211 - AIR CLEANER, SUPPORT
10.202.AH	02	VAR - 391130, 392753 758000 - AIR CLEANER, SUPPORT, LOWER
10.202.AK		VAR - 391130, 392753, 758000 - AIR CLEANER, LINE
10.206.AG	01	VAR - 391131, 392839, 758001, 759426, 759427 - FUEL FILTER, SUPPORT
10.206.AG	02	VAR - 391131, 758001 - FUEL FILTER, SUPPORT
10.206.AG	03	VAR - 391131, 758001 - FUEL FILTER, COMPONENTS
10.216.AI	01	VAR - 391131, 758001 - FUEL TANK
10.216.AI	02	VAR - 391131, 758001 - FUEL TANK, COMPONENTS
10.216.AI	03	VAR - 391131, 758001 - FUEL TANK (RH)
10.216.AI	04	VAR - 391131, 758001 - FUEL TANK, ASSEMBLY
10.216.AI	05	VAR - 391131, 758001 - FUEL TANK, COVER
10.216.AI	06	VAR - 391131, 392839, 759426 - FUEL TANK, SUPPORT
10.216.AI	07	VAR - 758001 - FUEL TANK, SUPPORT
10.216.AI	08	VAR - 391131, 758001 - FUEL TANK, SUPPORT (RH)
10.216.AI	09	VAR - 758001 - FUEL TANK, SHIELD (RH)
10.216.AX		VAR - 391131, 758001 - FUEL COOLER
10.216.AY		VAR - 391131, 758001 - FUEL COOLER, LINE
10.216.BA	01	VAR - 391131, 758001 - FUEL TANK, LINE
10.216.BA	02	VAR - 391131, 758001 - FUEL TANK, LINE
10.254.AD	01	VAR - 391130, 392753, 758000 - EXHAUST SYSTEM PIPE, VERTICAL
10.254.AD	02	VAR - 391209, 758973, 758999 - EXHAUST SYSTEM PIPE, COVER
10.254.AD	03	VAR - 391209, 758973, 758999 - EXHAUST SYSTEM PIPE, COVER
10.254.AD	04	VAR - 758973 - EXHAUST SYSTEM PIPE, COVERS
10.254.AI	02	VAR - 391130, 392753, 758000 - EXHAUST SYSTEM PIPE
10.254.AZ		VAR - 758005 - EXHAUST BRAKE, PEDAL
10.304.AP		VAR - 391130, 392753, 758000 - HOSE, CRANKCASE
10.310.AA	02	VAR - 391130, 758000 - INTERCOOLER, COMPONENTS
10.310.AB		VAR - 391130, 392753, 758000 - AFTERCOOLER LINE

TABLE OF CONTENTS

10.400.AK		VAR - 391130, 758000 - EXPANSION TANK, HOSE
10.400.AY		VAR - 391130, 392753, 758000 - RADIATOR, HOSE
10.400.BE		VAR - 391130, 392753, 758000 - RADIATOR, COMPONENTS
10.400.BF	01	VAR - 391130, 392753 - FAN, SHROUD
10.400.BF	02	VAR - 758000 - FAN, SHROUD
10.400.BF	03	VAR - 391130, 392753, 758000 - RADIATOR, SEAL
10.400.BF	04	VAR - 391130, 392753, 758000 - RADIATOR, SUPPORT
10.400.BF	05	VAR - 391156, 758047 - RADIATOR, BAFFLE
10.400.BF	06	VAR - 758045, 758046 - RADIATOR, BAFFLE
10.400.BF	07	VAR - 758088, 758089, 758090, 758091, 758092, 758093, 758245, 758246, 758247 - RADIATOR, BAFFLE
10.400.BH	01	VAR - 391130, 758000 - EXPANSION TANK
10.400.BH	02	VAR - 391130, 758000 - EXPANSION TANK, COMPONENTS
10.414.AC	01	VAR - 391130, 392753 - FAN
10.414.AC	02	VAR - 332231, 758000 - REVERSIBLE FAN, COMPONENTS
10.414.AD	01	VAR - 391130, 392753 - FAN, PULLEY
10.414.AD	02	VAR - 758000 - FAN, PULLEY
10.414.AQ		VAR - 332231, 758000 - REVERSIBLE FAN
10.414.BE	01	VAR - 391130, 392753 - FAN, BELT
10.414.BE	02	VAR - 758000 - FAN, BELT
10.500.AA		VAR - 391131, 758001 - DEF/ADBLUE™ TANK, COMPONENTS
10.500.AD	01	VAR - 391130, 392753, 758000 - DEF/ADBLUE™ LINES
10.500.AD	02	VAR - 391130, 392753, 758000 - DEF/ADBLUE™ LINES
10.500.AG		VAR - 391130, 392753, 758000 - DEF/ADBLUE™ LINES
10.500.AR		VAR - 391131, 758001 - HEATER VALVE
10.501.AD	02	VAR - 391130, 392753, 758000 - EXHAUST SYSTEM - SELECTIVE CATALYTIC REDUCTION
18.000.00		SECTION INDEX - CLUTCH
18.100.AF	01	VAR - 337426, 337429, 337430, 337431, 337432, 391138, 758017, 758018, 758019, 758020, 758022, 759052, 759053 - CLUTCH, PEDAL
21.000.00	01	SECTION INDEX - TRANSMISSION
21.000.00	02	SECTION INDEX - TRANSMISSION
21.000.00	03	SECTION INDEX - TRANSMISSION
21.000.00	04	SECTION INDEX - TRANSMISSION
21.000.00	05	SECTION INDEX - TRANSMISSION
21.105.BL	01	VAR - 391374, 391161, 338001, 758055, 758935 - TRANSMISSION, LUBRICATION LINE
21.109.AD	03	VAR - 391138, 758022 - TRANSMISSION, OIL COOLER LINE
21.109.AD	05	VAR - 391138, 758022 - TRANSMISSION, OIL COOLER LINE
21.118.AF	05	VAR - 391138, 758022 - TRANSMISSION HOUSING, CVT, DROP BOX

TABLE OF CONTENTS

21.118.AF	06	VAR - 391138, 758022, 758870 - TRANSMISSION HOUSING, CVT
21.118.AF	07	VAR - 391138, 758022, 758870 - TRANSMISSION HOUSING, CVT
21.118.AJ	01	VAR - 758007 - TRANSMISSION OIL, HEATER (110V)
21.118.AJ	03	VAR - 758008 - TRANSMISSION OIL, HEATER (240V)
21.120.AB	05	VAR - 337427, 337433, 391138, 758022, 759053 - GEARBOX, CVT
21.120.AB	06	VAR - 391138, 758022 - GEARBOX, CVT, MOUNTING
21.148.AC	02	VAR - 338397, 758023, 758868, 758869 - TRANSMISSION, REAR, GEARS & SHAFT, BEVEL PINION, CVT
21.148.AC	05	VAR - 391139, 758024, 758031 - TRANSMISSION, REAR, GEARS & SHAFT, BEVEL PINION, CVT
21.148.AC	08	VAR - 337426, 337429, 337431, 338397, 391136, 391137, 391138, 391351, 758012, 758014, 758016, 758018, 758020, 758022, 758867, 759052 - BEVEL PINION, COUPLING
21.148.AC	09	VAR - 391136, 391138, 391351, 758011, 758012, 758013, 758014, 758015, 758016, 758017, 758018, 758019, 758020, 758021, 758022 - CENTRAL REDUCTION GEAR, BEARING
21.148.AC	10	VAR - 391136, 391138, 391351, 758011, 758012, 758013, 758014, 758015, 758016, 758017, 758018, 758019, 758020, 758021, 758022 - CENTRAL REDUCTION GEAR, SHIM
21.148.AC	11	VAR - 391136, 391138, 391351, 758011, 758012, 758013, 758014, 758015, 758016, 758017, 758018, 758019, 758020, 758021, 758022 - CENTRAL REDUCTION GEAR, SHIM
21.148.AC	12	VAR - 391136, 391138, 391351, 758011, 758012, 758013, 758014, 758015, 758016, 758017, 758018, 758019, 758020, 758021, 758022 - CENTRAL REDUCTION GEAR, COVER
21.200.AA	01	VAR - 391158, 758052, 758053 - DROP BOX
21.504.00		SERVICE KIT, TRANSMISSION, CVT
21.505.AG		VAR - 391138, 758022 - TRANSMISSION, GEARSHIFT, CVT
21.505.AQ	01	VAR - 391138, 758022 - TRANSMISSION CONTROL VALVE
21.505.AQ	02	VAR - 391138, 758022 - TRANSMISSION CONTROL VALVE
21.505.AQ	03	VAR - 391138, 758022 - TRANSMISSION CONTROL VALVE, COMPONENTS
21.506.AA		VAR - 391138, 758022 - TRANSMISSION, ACCUMULATOR
21.506.AI	03	VAR - 391138, 758022 - TRANSMISSION, LINE
21.506.AK		VAR - 391138, 758022 - TRANSMISSION, DRAIN LINE
21.506.BC		VAR - 391138, 758022 - TRANSMISSION, OIL FILTER
21.506.BE		VAR - 391138, 758022 - TRANSMISSION, LUBRICATION LINE
21.507.AD	01	VAR - 391138, 758022 - TRANSMISSION, HYDROSTATIC PUMP, CVT
21.507.AD	02	VAR - 391138, 758022 - TRANSMISSION, FLANGE, CVT
21.507.AD	02	VAR - 391138, 758022 - TRANSMISSION, FLANGE, CVT
21.507.AD	03	VAR - 391138, 758022 - TRANSMISSION, PLANETARY REDUCER, CVT
21.507.AD	03	VAR - 391138, 758022 - TRANSMISSION, PLANETARY REDUCER, CVT
21.507.AD	04	VAR - 391138, 758022 - TRANSMISSION, SPACER, CVT
21.507.AD	04	VAR - 391138, 758022 - TRANSMISSION, SPACER, CVT
21.507.AD	05	VAR - 391138, 758022 - TRANSMISSION, MAIN SHAFT, CVT
21.507.AD	05	VAR - 391138, 758022 - TRANSMISSION, MAIN SHAFT, CVT
21.507.AD	06	VAR - 391138, 758022 - TRANSMISSION, COVER, PTO SHAFT, CVT
21.507.AD	06	VAR - 391138, 758022 - TRANSMISSION, COVER, PTO SHAFT, CVT

TABLE OF CONTENTS

21.507.AD	07	VAR - 391138, 758022 - TRANSMISSION, CLUTCH, CVT
21.507.AD	07	VAR - 391138, 758022 - TRANSMISSION, CLUTCH, CVT
21.507.AD	08	VAR - 391138, 758022 - TRANSMISSION, CLUTCH, CVT
21.507.AD	08	VAR - 391138, 758022 - TRANSMISSION, CLUTCH, CVT
21.507.AD	12	TRANSMISSION, HYDROSTATIC PUMP, CVT, COMPONENTS
21.507.AH	01	VAR - 391138, 758022 - TRANSMISSION, MAIN SHAFT, SLEEVE, JOINT
21.900.AA	01	VAR - 391374, 391161, 758055, 758935, 391374 - HYDRAULIC PUMP, DRIVEN GEAR
21.900.AA	02	VAR - 391155, 391161, 391374, 758037, 758038, 758039, 758040, 758041, 758042, 758043, 758044, 758055, 758935 - HYDRAULIC PUMP, DRIVEN GEAR, SHIM
23.000.00	01	SECTION INDEX - FOUR WHEEL DRIVE SYSTEM
23.000.00	02	SECTION INDEX - FOUR WHEEL DRIVE SYSTEM
23.202.AP	05	VAR - 391138, 758022 - 4WD ENGAGEMENT CLUTCH CONTROL, CVT
23.202.AP	06	VAR - 391138, 758022 - 4WD ENGAGEMENT CLUTCH CONTROL, SHIM, CVT
23.202.AP	07	VAR - 391138, 758022 - 4WD ENGAGEMENT CLUTCH CONTROL, SHIM, CVT
23.314.AH	02	VAR - 391213 - 4WD FRONT AXLE, DRIVE SHAFT
23.314.AH	04	VAR - 391213, 758205 - 4WD FRONT AXLE, DRIVE SHAFT
23.314.AH	05	VAR - 391213 - 4WD FRONT AXLE, DRIVE SHAFT, SHIELD, W/O WATERPROOF
23.314.AH	07	VAR - 758205 - 4WD FRONT AXLE, DRIVE SHAFT, WATERPROOF
23.314.AH	09	VAR - 391213 - 4WD DRIVESHAFT FOR SUPERSTEER FRONT AXLE
25.000.00	01	SECTION INDEX - FRONT AXLE SYSTEM
25.000.00	02	SECTION INDEX - FRONT AXLE SYSTEM
25.000.00	03	SECTION INDEX - FRONT AXLE SYSTEM
25.000.00	04	SECTION INDEX - FRONT AXLE SYSTEM
25.000.00	05	SECTION INDEX - FRONT AXLE SYSTEM
25.100.AA	01	VAR - 391156 - 4WD FRONT AXLE
25.100.AA	02	VAR - 758045 - FRONT AXLE, SUSPENDED
25.100.AA	03	VAR - 758046 - FRONT AXLE, SUSPENDED W/BRAKES
25.100.AA	04	VAR - 758047 - SUPERSTEER FRONT AXLE
25.100.AD	01	VAR - 391156 - 4WD FRONT AXLE, HOUSING
25.100.AD	02	VAR - 758045 - FRONT AXLE, SUSPENDED, HOUSING
25.100.AD	03	VAR - 758046 - FRONT AXLE, SUSPENDED W/BRAKES, HOUSING
25.100.AD	04	VAR - 758047 - SUPERSTEER FRONT AXLE, HOUSING
25.100.AI		VAR - 758047 - SUPERSTEER FRONT AXLE, ARTICULATION, SUPPORT
25.100.AV	01	VAR - 391156 - FRONT AXLE SUPPORT, AXLE, STANDARD
25.100.AV	02	VAR - 758045, 758046 - SUSPENDED FRONT AXLE, FRONT AXLE SUPPORT
25.100.AV	03	VAR - 758047 - FRONT AXLE SUPPORT, SUPERSTEER FRONT AXLE
25.100.AV	05	VAR - 758045, 758046 - FRONT AXLE SUPPORT

TABLE OF CONTENTS

25.100.AV	06	VAR - 758047 - FRONT AXLE SUPPORT, TRUNNION
25.100.AV	07	VAR - 391172, 758088, 758089, 758090, 758092, 758094, 758095, 758096, 758097, 758098, 758099, 758248 - FRONT AXLE SUPPORT, PLATE
25.100.AV	09	VAR - 758088, 758089, 758090, 758091, 758092, 758093, 758245, 758246, 758247 - FRONT AXLE SUPPORT, 4WD FRONT AXLE
25.100.AV	10	VAR - 758088, 758089, 758090, 758091, 758092, 758093, 758245, 758246, 758247 - FRONT AXLE SUPPORT, SUSPENDED
25.100.AV	11	VAR - 758088, 758089, 758090, 758092, 758246 - FRONT AXLE SUPPORT, PLATE
25.100.AV	12	VAR - 758091, 758093, 758245, 758247 - FRONT AXLE SUPPORT, PLATE
25.100.BL	01	VAR - 758045, 758046 - SUSPENDED FRONT AXLE, ARM
25.100.BL	02	VAR - 758045, 758046 - SUSPENDED FRONT AXLE, ARM
25.102.AB	01	VAR - 391156 - 4WD FRONT AXLE, BEVEL PINION
25.102.AB	02	VAR - 758045 - SUSPENDED FRONT AXLE, DIFFERENTIAL, BEVEL GEAR
25.102.AB	03	VAR - 758046 - FRONT AXLE, SUSPENDED W/BRAKES, BEVEL PINION
25.102.AB	04	VAR - 758047 - SUPERSTEER FRONT AXLE, BEVEL PINION
25.102.AC	01	VAR - 391156 - 4WD FRONT AXLE, DIFFERENTIAL CARRIER
25.102.AC	02	VAR - 758045 - SUSPENDED FRONT AXLE, DIFFERENTIAL, CARRIER
25.102.AC	03	VAR - 758046 - FRONT AXLE, SUSPENDED W/BRAKES, DIFFERENTIAL CARRIER
25.102.AC	04	VAR - 758047 - SUPERSTEER FRONT AXLE, DIFFERENTIAL CARRIER
25.102.AC	04	VAR - 758047 - SUPERSTEER FRONT AXLE, DIFFERENTIAL, CARRIER
25.102.AC	05	VAR - 758047 - SUPERSTEER FRONT AXLE, DIFFERENTIAL CARRIER
25.102.AD	01	VAR - 391156 - 4WD FRONT AXLE, DIFFERENTIAL
25.102.AD	02	VAR - 758045 - SUSPENDED FRONT AXLE, DIFFERENTIAL
25.102.AD	02	VAR - 758045 - SUSPENDED FRONT AXLE, DIFFERENTIAL, GEAR
25.102.AD	03	VAR - 758046 - SUSPENDED FRONT AXLE, W/ BRAKE, DIFFERENTIAL
25.102.AD	04	VAR - 758047 - SUPERSTEER FRONT AXLE, DIFFERENTIAL
25.102.AD	04	VAR - 758047 - SUPERSTEER FRONT AXLE, DIFFERENTIAL
25.102.AT	02	VAR - 391156 - 4WD FRONT AXLE, DIFFERENTIAL LOCK, LINE
25.102.AT	04	VAR - 758045, 758046 - SUSPENDED FRONT AXLE, DIFFERENTIAL LOCK, LINE
25.102.AT	06	VAR - 758047 - SUPERSTEER FRONT AXLE, DIFFERENTIAL LOCK, LINE
25.108.AA	01	VAR - 391156 - 4WD FRONT AXLE, SHAFT
25.108.AA	02	VAR - 758045 - FRONT AXLE, SUSPENDED, SHAFT
25.108.AA	03	VAR - 758046 - FRONT AXLE, SUSPENDED W/BRAKES, SHAFT
25.108.AA	04	VAR - 758047 - SUPERSTEER FRONT AXLE, SHAFT
25.108.AB	01	VAR - 391156 - 4WD FRONT AXLE, PLANETARY GEAR
25.108.AB	02	VAR - 758045 - FRONT AXLE, SUSPENDED, PLANETARY GEAR
25.108.AB	03	VAR - 758046 - FRONT AXLE, SUSPENDED W/BRAKES, PLANETARY GEAR
25.108.AB	04	VAR - 758047 - SUPERSTEER FRONT AXLE, PLANETARY GEAR

TABLE OF CONTENTS

25.108.AC	01	VAR - 391156 - 4WD FRONT AXLE, FINAL DRIVE
25.108.AC	02	VAR - 758045 - FRONT AXLE, SUSPENDED, FINAL DRIVE
25.108.AC	03	VAR - 758046 - FRONT AXLE, SUSPENDED W/BRAKES, FINAL DRIVE
25.108.AC	04	VAR - 758047 - SUPERSTEER FRONT AXLE, FINAL DRIVE
25.108.AG	01	VAR - 391156 - 4WD FRONT AXLE, STEERING KNUCKLE, RH
25.108.AG	02	VAR - 391156 - 4WD FRONT AXLE, STEERING KNUCKLE, LH
25.108.AG	03	VAR - 758045 - FRONT AXLE, SUSPENDED, STEERING KNUCKLE, RH
25.108.AG	04	VAR - 758045 - FRONT AXLE, SUSPENDED, STEERING KNUCKLE, LH
25.108.AG	05	VAR - 758046 - FRONT AXLE, SUSPENDED W/BRAKES, STEERING KNUCKLE, RH
25.108.AG	06	VAR - 758046 - FRONT AXLE, SUSPENDED W/BRAKES, STEERING KNUCKLE, LH
25.108.AG	07	VAR - 758047 - SUPERSTEER FRONT AXLE, STEERING KNUCKLE, RH
25.108.AG	08	VAR - 758047 - SUPERSTEER FRONT AXLE, STEERING KNUCKLE, LH
25.108.AN	01	VAR - 391156 - 4WD FRONT AXLE, WHEEL, HUB
25.108.AN	02	VAR - 758045 - FRONT AXLE, SUSPENSION, WHEEL, HUB
25.108.AN	03	VAR - 758046 - FRONT AXLE, SUSPENSION W/BRAKES, WHEEL, HUB
25.108.AN	04	VAR - 758047 - SUPERSTEER FRONT AXLE, WHEEL, HUB
25.122.AA		VAR - 758045, 758046 - SUSPENDED FRONT AXLE - HYD CONTROL VALVE, ACCUMULATOR
25.122.AB	01	VAR - 758045, 758046 - SUSPENDED FRONT AXLE, CYLINDER
25.122.AB	02	VAR - 758045, 758046 - SUSPENDED FRONT AXLE, CYLINDER, COMPONENTS
25.122.AD		VAR - 758045, 758046 - SUSPENDED FRONT AXLE, CYLINDER, LINE
25.122.AL	01	VAR. 758045, 758046 - SUSPENDED FRONT AXLE - HYD CONTROL VALVE
25.122.AL	02	VAR. 758045, 758046 - SUSPENDED FRONT AXLE - HYD CONTROL VALVE
25.122.AM	03	VAR - 758045, 758046 - SUSPENDED FRONT AXLE - HYD CONTROL VALVE, LINE, CVT
25.122.AM	04	VAR - 758045, 758046 - FRONT AXLE, SUSPENDED, CONTROL VALVE, LINE, CVT
27.000.00		SECTION INDEX - REAR AXLE SYSTEM
27.100.AB	06	VAR - 391158, 758052, 758053 - TRANSMISSION, SUPPORT, CVT
27.100.AB	07	VAR - 758053 - TRANSMISSION, SUPPORT, CVT
27.100.AI	02	VAR - 391138, 758022 - REAR AXLE, HOUSING, BREATHER
27.106.AC	01	VAR - 391158, 758052, 758053 - REAR AXLE, DIFFERENTIAL
27.106.AK	01	VAR - 391158, 758052, 758053 - REAR AXLE, DIFFERENTIAL, LOCK, CLUTCH PLATE
27.120.AD	01	VAR - 758052 - REAR AXLE, FINAL DRIVE, SHAFT, 98 INCH
27.120.AD	02	VAR - 758053 - REAR AXLE, FINAL DRIVE, SHAFT, 112 INCH
27.120.AD	03	VAR - 391158 - REAR AXLE, FINAL DRIVE, SHAFT
27.120.AF	01	VAR - 391158, 758052, 758053 - REAR AXLE, FINAL DRIVE, PLANETARY GEAR
27.120.AF	03	VAR - 391158, 758052, 758053 - REAR AXLE, FINAL DRIVE, SHAFT
27.120.AI	03	VAR - 391158, 758052, 758053 - FINAL DRIVE HOUSING, CVT

TABLE OF CONTENTS

27.120.AR	01	VAR - 332639 - REAR AXLE, WHEEL HUB
27.120.AR	02	VAR - 758052, 758053 - REAR AXLE, WHEEL HUB
27.120.AR	03	VAR - 758052, 758053 - REAR AXLE, WHEEL HUB
31.000.00	01	SECTION INDEX - IMPLEMENT POWER TAKE OFF
31.000.00	02	SECTION INDEX - IMPLEMENT POWER TAKE OFF
31.000.00	03	SECTION INDEX - IMPLEMENT POWER TAKE OFF
31.101.AB	02	VAR - 391139, 758023 - PTO 540/540E/1000 RPM, LEVER
31.101.AB	05	VAR - 758024 - PTO 540/1000/1000E RPM, LEVER
31.101.AB	08	VAR - 758023 - PTO 540/540E/1000 RPM, W/ GROUND SPEED, PTO, CONTROLS
31.101.AC	01	VAR - 391139 - PTO 540/540E/1000 RPM, CONTROL LEVER
31.101.AC	02	VAR - 758023 - PTO 540/540E/1000 RPM, GROUND SPEED, CONTROL LEVER
31.101.AC	03	VAR - 758024 - PTO 540/1000/1000E RPM, CONTROL LEVER
31.104.AR	01	VAR - 391138, 758022 - PTO, CONTROL VALVE
31.104.AR	02	VAR - 391138, 758022 - PTO, CONTROL VALVE, COMPONENTS
31.114.AB	02	VAR - 758031 - PTO 540/1000 RPM, DRIVEN SHAFT
31.114.AB	04	VAR - 758205 - PTO, SHAFT SEAL, WATERPROOF
31.114.AB	05	VAR - 391213, 392831 - PTO, SHAFT SEAL, W/O WATERPROOF
31.114.AF	01	VAR - 758031 - PTO 540/1000 RPM, OUTPUT SHAFT
31.114.AH	02	VAR - 758031 - PTO 540/1000 RPM, HOUSING
31.114.AH	04	VAR - 758031 - PTO 540/1000 RPM, HOUSING, MOUNTING
31.114.AI	01	VAR - 392831, 758031, 759429 - PTO 540/1000 RPM, CLUTCH
31.114.AJ	01	VAR - 392831, 758031 - PTO 540/1000 RPM, BRAKE
31.114.AO	02	VAR - 758031 - PTO 540/1000 RPM, PTO, SELECTOR
31.114.AO	02	VAR - 758031 - PTO 540/1000 RPM, SELECTOR
31.114.AP	01	VAR - 392831, 758031 - PTO 540/1000 RPM, MAIN SHAFT
31.114.AP	03	VAR - 391136, 391138, 758011, 758016, 758017, 758022 - PTO 540/1000 RPM, PTO 540E/1000 RPM, MAIN SHAFT
31.116.AC	06	VAR - 758024 - PTO 540E/1000/1000E RPM, DRIVE SHAFT, FRONT
31.116.AC	09	VAR - 758205 - PTO, SHAFT SEAL, WATERPROOF
31.116.AC	10	VAR - 391213, 392831 - PTO, SHAFT SEAL, W/O WATERPROOF
31.116.AF	01	VAR - 391139, 392831, 758023, 758024, 759429 - PTO, OUTPUT SHAFT
31.116.AF	02	VAR - 391139, 758024, 759429 - PTO, OUTPUT SHAFT
31.116.AG	03	VAR - 391139, 758023 - PTO 540/540E/1000 RPM, HOUSING
31.116.AG	06	VAR - 758024 - PTO 540E/1000/1000E RPM, HOUSING
31.116.AG	07	VAR - 391139, 392831, 758023, 758024, 759429 - PTO, HOUSING, MOUNTING
31.116.AG	12	VAR - 391138, 758016, 758017, 758018, 758019, 758020, 758021, 758022 - PTO, LEVEL, OIL
31.116.AG	13	VAR - 338034, 338035, 338967, 338968, 391173, 758100, 758102, 758103, 758113, 758651, 758652, 758653, 758654, 758655, 758656, 758657, 758658 - PTO, GUARD

TABLE OF CONTENTS

31.116.AH	01	VAR - 391139, 758023, 758024, 759429 - PTO 540/540E/1000 RPM, PTO 540E/1000/1000E RPM, CLUTCH
31.116.AK	03	VAR - 391139, 758023 - PTO 540/540E/1000 RPM, SELECTOR
31.116.AK	06	VAR - 758024 - PTO 540E/1000/1000E RPM, DRIVE SHAFT, FRONT
31.116.AL	01	VAR - 391136, 391138, 758011, 758016, 758017, 758022, 758866, 758867, 758868, 758869, 758870 - PTO, SHAFT, REAR
31.116.AL	03	VAR - 758023 - PTO 540E/1000/1000E RPM, W/ GROUND SPEED, REAR, SHAFT
31.116.AL	04	VAR - 391139, 758023, 758024, 759429 - PTO 540/540E/1000 RPM, PTO 540E/1000/1000E RPM, MAIN SHAFT
31.116.AP	01	VAR - 391139, 758023, 758024, 759429 - PTO 540/540E/1000 RPM, PTO 540E/1000/1000E RPM, BRAKE
31.142.AA	01	VAR - 758091, 758093, 758245, 758247, 758248 - FRONT PTO ASSY, ACTUATOR
31.142.AA	02	VAR - 758091, 758093, 758245, 758247, 758248 - FRONT PTO ASSY, ACTUATOR, COMPONENTS
31.142.AF	02	VAR - 758091, 758093, 758245, 758247 - FRONT PTO ASSY, LINE
31.146.AA	01	VAR - 758091, 758093, 758245, 758247 - FRONT PTO ASSY, DRIVE SHAFT
31.146.AC	01	VAR - 758091, 758093, 758245, 758247, 758248 - FRONT PTO ASSY, HOUSING
31.146.AE	01	VAR - 758091, 758093, 758245, 758247, 758248 - FRONT PTO, CLUTCH
31.146.AE	02	VAR - 758091, 758093, 758245, 758247, 758248 - FRONT PTO, CLUTCH, COMPONENTS
31.146.AI	01	VAR - 758091, 758093, 758245, 758247, 758248 - FRONT PTO ASSY, COVER
31.146.AQ	01	VAR - 758091, 758093, 758245, 758247, 758248 - FRONT PTO ASSY, DROP BOX
31.146.AR	01	VAR - 758091, 758093, 758245, 758247, 758248 - FRONT PTO ASSY, GEARBOX
33.000.00	01	SECTION INDEX - BRAKES & CONTROLS
33.000.00	02	SECTION INDEX - BRAKES & CONTROLS
33.000.00	03	SECTION INDEX - BRAKES & CONTROLS
33.000.00	04	SECTION INDEX - BRAKES & CONTROLS
33.000.00	05	SECTION INDEX - BRAKES & CONTROLS
33.110.AJ	03	VAR - 391148, 758034 - HAND BRAKE, LEVER
33.110.AJ	04	VAR - 391148, 758034 - HAND BRAKE, LEVER , COMPONENTS
33.110.AJ	05	HAND BRAKE, TRAILER, BRACKET
33.110.AJ	05	TRAILER BRAKE, SUPPORT
33.110.AV	02	VAR - 391148 - PARKING BRAKE, DISC
33.110.AZ	02	VAR - 391148 - PARKING BRAKE, HOUSING
33.110.BA	02	VAR - 391148 - PARKING BRAKE, LEVER
33.202.AK	02	VAR - 391214 - TRANSMISSION, BRAKE DISC
33.202.AK	04	VAR - 758204 - TRANSMISSION, BRAKE DISC
33.202.AN		VAR - 391347, 758802, 758803, 758804, 758805, 758806, 758807, 758871 - BRAKE FLUID RESERVOIR
33.202.AP	03	VAR - 391138, 758022, 758869, 758870 - BRAKE LINE, CVT
33.202.AR		VAR - 391347, 758802, 758803, 758804, 758805, 758806, 758807, 758871 - BRAKE CYLINDER
33.202.BN	01	VAR - 391347, 758802, 758803, 758804, 758805, 758806, 758807, 758871 - PARK BRAKE

TABLE OF CONTENTS

33.202.BO	02	VAR - 391347, 758802, 758803, 758804, 758805, 758806, 758807, 758871 - BRAKE LINE, CVT
33.204.AB	01	VAR - 758046 - FRONT AXLE, SUSPENDED, BLEED SCREW
33.204.AD	01	VAR - 758046 - FRONT AXLE, SUSPENDED, BRAKES
33.204.AG	02	VAR - 758046 - SUSPENDED FRONT AXLE, BRAKE, LINE
33.204.AG	03	VAR - 758046 - SUSPENDED FRONT AXLE, BRAKE, LINE
33.204.AX		VAR - 758046 - SUSPENDED FRONT AXLE, W/ BRAKE, BRAKE VALVE
33.220.AC	02	VAR - 758037, 758039, 758044 - TRAILER BRAKE VALVE, LINE, UNIVERSAL
33.220.AC	05	VAR - 758040, 758042 - TRAILER BRAKE VALVE, LINE, ITALY
33.220.AC	06	VAR - 391155, 758037, 758038, 758039, 758040, 758041, 758042, 758043, 758044 - TRAILER BRAKE, LINE, CVT
33.220.AC	07	VAR - 391155, 758038, 758041, 758043 - TRAILER BRAKE, LINE, CVT
33.220.AM	01	VAR - 758040, 758042 - TRAILER BRAKE VALVE, ITALY
33.220.AM	02	VAR. 758040, 758042 - TRAILER BRAKE VALVE, COMPONENTS
33.220.AM	03	VAR. 758040, 758042 - TRAILER BRAKE VALVE
33.220.AM	04	VAR - 758037, 758039, 758044 - TRAILER BRAKE VALVE, LINE, UNIVERSAL
33.224.AC		VAR - 758038, 758039, 758041, 758042, 758043, 758044 - PNEUMATIC TRAILER BRAKE, AIR TANK, LINE
33.224.AF	01	VAR - 758038, 758039, 758041, 758042, 758043, 758044 - PNEUMATIC TRAILER BRAKE, AIR TANK
33.224.AG		VAR - 758038, 758039, 758041, 758042, 758043, 758044 - PNEUMATIC TRAILER BRAKE
33.224.AH		VAR - 358038, 758039, 758041, 758042, 758073, 758044 - TRAILER, BRAKE, COMPRESSOR
33.224.AJ	01	VAR - 358038, 758039, 758041, 758042, 758073, 758044 - TRAILER, BRAKE, COMPRESSOR, INLINE
33.224.AJ	02	VAR - 358038, 758039, 758041, 758042, 758073, 758044 - TRAILER, BRAKE, COMPRESSOR, DRAIN LINE
33.224.AJ	03	VAR - 758038, 758039, 758041, 758042, 758043, 758044 - TRAILER, BRAKE, COMPRESSOR, INLINE
33.224.AL		VAR - 358038, 758039, 758041, 758042, 758073, 758044 - TRAILER, BRAKE, COMPRESSOR, BELT
33.224.AM		VAR - 358038, 758039, 758041, 758042, 758073, 758044 - TRAILER, BRAKE, COMPRESSOR, LUBRICATION LINE
33.224.AO		VAR - 358038, 758039, 758041, 758042, 758073, 758044 - TRAILER, BRAKE, COMPRESSOR, PULLEY
33.224.AQ	01	VAR - 758038, 758039, 758041, 758042, 758043, 758044 - TRAILER BRAKE VALVE, INLINE
33.224.AQ	03	VAR - 758041, 758042 - TRAILER BRAKE VALVE, INLINE, ITALY
33.224.AW		VAR - 758038, 758039, 758041, 758042, 758043, 758044 - PRESSURE GAUGE
33.224.AZ	01	VAR - 758038, 758039, 758041, 758042, 758043, 758044 - PNEUMATIC TRAILER BRAKE, PNEUMATIC VALVE
33.224.AZ	02	VAR - 758038, 758039, 758041, 758042, 758043, 758044 - PNEUMATIC TRAILER BRAKE, QUICK-RELEASE, VALVE
33.224.AZ	03	VAR - 758038, 758039, 758043, 758044 - PNEUMATIC TRAILER BRAKE, PIPE
33.224.AZ	04	VAR - 758038, 758039, 758043, 758044 - PNEUMATIC TRAILER BRAKE, PIPE
33.224.AZ	05	VAR - 758043, 758044 - PNEUMATIC TRAILER BRAKE, BRACKET
33.224.AZ	06	VAR - 758038, 758039, 758041, 758042, 758043, 758044 - PNEUMATIC TRAILER BRAKE, COVER
33.224.AZ	07	VAR - 758038, 758039 - PNEUMATIC TRAILER BRAKE, BRACKET, UNIVERSAL
33.224.AZ	08	VAR - 758041, 758042 - PNEUMATIC TRAILER BRAKE, PIPE, ITALY

TABLE OF CONTENTS

33.224.AZ	09	VAR - 758041, 758042 - PNEUMATIC TRAILER BRAKE, PIPE, ITALY
33.224.AZ	10	VAR - 758041, 758042 - PNEUMATIC TRAILER BRAKE, COVER, ITALY
33.224.BC	01	VAR - 758038, 758039, 758041, 758042, 758043, 758044 - PNEUMATIC TRAILER BRAKE, VALVE
35.000.00	01	SECTION INDEX - HYDRAULIC SYSTEMS
35.000.00	02	SECTION INDEX - HYDRAULIC SYSTEMS
35.000.00	03	SECTION INDEX - HYDRAULIC SYSTEMS
35.000.00	04	SECTION INDEX - HYDRAULIC SYSTEMS
35.000.00	05	SECTION INDEX - HYDRAULIC SYSTEMS
35.000.00	06	SECTION INDEX - HYDRAULIC SYSTEMS
35.000.00	07	SECTION INDEX - HYDRAULIC SYSTEMS
35.000.00	08	SECTION INDEX - HYDRAULIC SYSTEMS
35.100.AR	02	VAR - 391138, 758022 - LIFT CYLINDER, LINE
35.100.AR	06	VAR - 391138, 758022 - LIFT CYLINDER, LINE
35.100.AZ	01	VAR - 391155, 748038, 748041, 748043 - PRIORITY VALVE
35.100.AZ	03	VAR - 391165, 758059, 758060, 758061 - PRIORITY VALVE, MOUNTING
35.100.AZ	05	VAR - 758037, 758039, 758040, 758042, 758044 - TRAILER BRAKE VALVE
35.100.BA	01	VAR - 391168 - LESS MID MOUNTED VALVES - PRIORITY VALVE, LINE
35.100.BA	02	VAR - 758064, 758065, 758066 - PRIORITY VALVE, LINE
35.100.BI	03	VAR - 391170, 758071, 758072, 758073, 758074 - LIFT CYLINDER
35.100.BI	04	VAR - 758075, 758076, 758077, 758078, 758079 - LIFT CYLINDER
35.100.BI	05	VAR - 391170, 758071, 758072, 758073, 758074 - LIFT CYLINDER, COMPONENTS
35.100.BI	06	VAR - 758075, 758076, 758077, 758078, 758079 - LIFT CYLINDER, COMPONENTS
35.104.AA	01	VAR - 391374, 391161, 391374, 758055, 758935 - HYDRAULIC PUMP
35.106.AD	01	VAR - 391161, 391374 - VARIABLE DELIVERY HYDRAULIC PUMP, 140 L/MIN
35.106.AD	02	VAR - 758055, 758935 - VARIABLE DELIVERY HYDRAULIC PUMP, 160 L/MIN
35.106.AQ		VAR - 391136, 391138, 391351, 758011, 758012, 758013, 758014, 758015, 758016, 758017, 758018, 758019, 758020, 758021, 758022, 758867 - OIL COOLER FILTER, SUPPORT
35.124.AD	01	VAR - 392831, 758071, 758076 - 3 POINT HITCH, HYD TOP LINK
35.124.AD	02	VAR - 392831, 758072, 758077 - 3 POINT HITCH, HYD TOP LINK
35.124.AD	03	VAR - 758072, 758077 - 3 HITCH POINT, HYDRAULIC TOP LINK, COMPONENTS
35.124.AE	01	VAR - 758071, 758076 - 3 HITCH POINT, LINE
35.124.AE	02	VAR - 758072, 758077 - 3 HITCH POINT, LINE
35.124.AJ	01	VAR - 758072, 758077 - 3 POINT HITCH, HYDRAULIC LIFT, ARM
35.124.AJ	02	VAR - 758072, 758077 - 3 HITCH POINT, HYDRAULIC LIFT, ARM, COMPONENTS
35.160.AK		VAR - 758088, 758089, 758090, 758091, 758092, 758093, 758245, 758246, 758247 - 3 POINT HITCH, FRONT, INTEGRATED HYDRAULIC LIFT, ACCUMULATOR
35.160.AN	01	VAR - 758088, 758089, 758090 - 3 POINT HITCH, FRONT, W/ SUPERSTEER, VALVE
35.160.AN	02	VAR - 758092, 758246 - 3 POINT HITCH, FRONT, W/ SUPERSTEER, VALVE

TABLE OF CONTENTS

35.160.AN	03	VAR - 758088, 758089, 758090, 758092, 758246 - 3 POINT HITCH, FRONT, W/ SUPERSTEER, VALVE
35.162.AB	01	VAR - 758088, 758089, 758090 - 3 POINT HITCH, FRONT, W/ SUPERSTEER, CYLINDER
35.162.AB	02	VAR - 758092, 758246 - 3 POINT HITCH, FRONT, W/ SUPERSTEER, CYLINDER
35.162.AG	01	VAR - 758088, 758089, 758090, 758091, 758092, 758093, 758245, 758246, 758247 - 3 POINT HITCH, FRONT, INTEGRATED HYDRAULIC LIFT, CYLINDER, LINE
35.162.AG	02	VAR - 758088, 758089, 758090, 758091, 758092, 758093, 758245, 758246, 758247 - 3 POINT HITCH, FRONT, INTEGRATED HYDRAULIC LIFT, CYLINDER, LINE
35.162.AG	03	VAR - 758089, 758090, 758091, 758092, 758093, 758245, 758246, 758247 - 3 POINT HITCH, FRONT, CYLINDER, LINE
35.162.AG	05	VAR - 758088, 758089, 758090, 758092, 758246 - 3 POINT HITCH, FRONT, CYLINDER, LINE
35.162.AG	06	VAR - 758092, 758246 - 3 POINT HITCH, FRONT, CYLINDER, LINE
35.162.AG	07	VAR - 758092, 758093, 758246, 758247 - 3 POINT HITCH, FRONT, CYLINDER, LINE
35.162.AG	08	VAR - 758088 - 3 POINT HITCH, FRONT, CYLINDER, LINE
35.204.AX		VAR - 391165, 758057, 758058, 758059, 758060 - POWER BEYOND VALVE, COMPONENTS
35.204.BB	01	VAR - 391163, 391164, 391165, 758057, 758058, 758059, 758060, 758061 - QUICK COUPLER, COMPONENTS
35.204.BB	02	VAR - 391163, 391164, 391165, 758057, 758058, 758059, 758060, 758061 - QUICK COUPLER, COMPONENTS
35.204.BB	03	VAR - 391164, 391165, 758057, 758058, 758059, 758060, 758061 - QUICK COUPLER, COMPONENTS
35.204.BB	04	VAR - 758058, 758060 - QUICK COUPLER
35.204.BB	05	VAR - 758058, 758060, 758061 - QUICK COUPLER, COMPONENTS
35.204.BE	20	VAR - 391163, 391164, 391165, 758057, 758058, 758059, 758060, 758061 - CONTROL VALVE SECTION, COMPONENTS
35.204.BE	23	VAR - 391164, 758050, 758057, 758058 - CONTROL VALVE SECTION, COMPONENTS
35.204.BE	24	VAR - 391164, 391165, 758058, 758059, 758060, 758061 - CONTROL VALVE SECTION, COMPONENTS
35.204.BE	25	VAR - 391165, 758059, 758060, 758061 - CONTROL VALVE SECTION, COMPONENTS
35.204.BE	26	VAR - 391165, 758059, 758060, 758061 - CONTROL VALVE SECTION, COMPONENTS
35.204.BE	27	VAR - 758058, 758060 - CONTROL VALVE, COMPONENTS
35.204.BE	29	VAR - 391155, 758037, 758040 - REMOTE CONTROL VALVE, BRACKET (STOWAGE)
35.204.BE	30	VAR - 758038, 758039, 758041, 758042, 758043, 758044 - REMOTE CONTROL VALVE, BRACKET (STOWAGE)
35.204.BJ	04	VAR - 391138, 758022 - REMOTE CONTROL VALVE, LINE
35.204.BJ	05	VAR - 758064, 758065, 758066 - REMOTE CONTROL VALVE, LINE
35.204.BJ	06	VAR - 391165, 758059, 758060, 758061 - REMOTE CONTROL VALVE, LINE
35.204.BJ	08	VAR - 758060 - REMOTE CONTROL VALVE, LINE
35.204.BQ	09	VAR - 391165, 758059 - 3 REMOTE CONTROL VALVE (EHR)
35.204.BQ	10	VAR - 391165, 758059 - 3 REMOTE CONTROL VALVES (EHR), COMPONENTS
35.204.BQ	11	VAR - 391165, 758059 - 3 REMOTE CONTROL VALVE (EHR W/PB)
35.204.BQ	12	VAR - 391165, 758059 - 3 REMOTE CONTROL VALVES (EHR W/PB), COMPONENTS
35.204.BQ	13	VAR - 758060 - 4 REMOTE CONTROL VALVE (EHR)
35.204.BQ	14	VAR - 758060 - 4 REMOTE CONTROL VALVES (EHR), COMPONENTS
35.204.BQ	15	VAR - 758060 - 4 REMOTE CONTROL VALVE (EHR W/PB)

TABLE OF CONTENTS

35.204.BQ	16	VAR - 758060 - 4 REMOTE CONTROL VALVES (EHR W/PB), COMPONENTS
35.204.BQ	17	VAR - 758061 - 5 REMOTE CONTROL VALVE (EHR)
35.204.BQ	18	VAR - 758061 - 5 REMOTE CONTROL VALVES (EHR), COMPONENTS
35.204.BS	01	VAR - 391168 - LESS MID MOUNT VALVES
35.204.BS	02	VAR - 758064 - 1 ELECTRONIC MID MOUNTED VALVES
35.204.BS	03	VAR - 758064 - 1 ELECTRONIC MID MOUNTED VALVES, COMPONENTS
35.204.BS	05	VAR - 758065 - 2 ELECTRONIC MID MOUNTED VALVES
35.204.BS	06	VAR - 758065 - 2 ELECTRONIC MID MOUNTED VALVES, COMPONENTS
35.204.BS	08	VAR - 758066 - 3 ELECTRONIC MID MOUNTED VALVES
35.204.BS	09	VAR - 758066 - 3 ELECTRONIC MID MOUNTED VALVES, COMPONENTS
35.204.BS	12	VAR - 758064 - 1 ELECTRONIC MID MOUNTED VALVES, LINE
35.204.BS	14	VAR - 758065 - 2 ELECTRONIC MID MOUNTED VALVES, LINE
35.204.BS	16	VAR - 758066 - 3 ELECTRONIC MID MOUNTED VALVES, LINE
35.204.BS	17	VAR - 758064, 758065, 758066 - MID-MOUNT CONTROL VALVE, HYD VALVE SECTION, COMPONENTS
35.204.BS	18	VAR - 758064, 758065, 758066 - MID-MOUNT CONTROL VALVE, HYD VALVE SECTION, COMPONENTS
35.204.BS	19	VAR - 758064, 758065, 758066 - MID-MOUNT CONTROL VALVE, HYD VALVE SECTION, COMPONENTS
35.204.BW	02	VAR - 391165, 758057, 758060, 759365 - 3 REMOTE CONTROL VALVES, RESERVOIR
35.204.BW	03	VAR - 758058, 758060, 759366 - 4 REMOTE CONTROL VALVES, RESERVOIR
35.204.BW	04	VAR - 758061 - 5 REMOTE CONTROL VALVES, RESERVOIR
35.204.BW	05	VAR - 758060 - 4 REMOTE CONTROL VALVES, RESERVOIR
35.204.BW	06	VAR - 758061 - 5 REMOTE CONTROL VALVES, RESERVOIR
35.300.AJ	01	VAR - 391374, 391161, 758055, 758935 - OIL FILTER, LINE
35.300.AN	01	VAR - 391374, 391161, 758055, 758935 - OIL FILTER
35.300.AN	05	VAR - 391158, 758052, 758053 - OIL FILTER, PRIORITY VALVE, COMPONENTS
35.300.AN	06	VAR - 391158, 758052, 758053 - OIL FILTER, PRIORITY VALVE, CVT
35.322.AY	15	VAR - 758091, 758093, 758245, 758046, 758247 - TRANSMISSION, LOW PRESSURE, LINE
35.322.AY	16	VAR - 391138, 758022 - TRANSMISSION, LOW PRESSURE, LINE
35.322.AY	17	VAR - 391138, 758022 - TRANSMISSION, LOW PRESSURE, LINE
35.322.AY	18	VAR - 758063 - TRANSMISSION, LOW PRESSURE, LINE
35.701.AD		VAR - 338349, 758973 - LOADER ARM, FRONT, QUICK COUPLER
37.000.00	01	SECTION INDEX - HITCHES, DRAWBARS AND IMPLEMENT COUPLINGS
37.000.00	02	SECTION INDEX - HITCHES, DRAWBARS AND IMPLEMENT COUPLINGS
37.000.00	03	SECTION INDEX - HITCHES, DRAWBARS AND IMPLEMENT COUPLINGS
37.000.00	04	SECTION INDEX - HITCHES, DRAWBARS AND IMPLEMENT COUPLINGS
37.100.AA	01	VAR - 758100, 758658, 758938 - DRAWBAR

TABLE OF CONTENTS

37.100.AA	02	VAR - 758102 - DRAWBAR
37.100.AA	03	VAR - 758102 - DRAWBAR, COMPONENTS
37.100.AA	04	VAR - 758103, 758652, 758654, 758656, 758862 - DRAWBAR
37.100.AA	05	VAR - 758103 - DRAWBAR, COMPONENTS
37.100.AA	10	VAR - 758651, 758652, 758653, 758654, 758655, 758656, 758657, 758658, 758861, 758862, 758937, 758938 - DRAWBAR
37.100.AA	11	VAR - 758652, 758654, 758656, 758862 - DRAWBAR, COMPONENTS
37.100.AA	12	VAR - 758651, 758652, 758653, 758654, 758655, 758656, 758657, 758658, 758861, 758862, 758937, 758938 - DRAWBAR
37.100.AA	13	VAR - 758658, 758938 - DRAWBAR
37.100.AF	01	VAR - 758651, 758652, 758653, 758654 - TRAILER HITCH
37.100.AF	02	VAR - 758651, 758652, 758653, 758654 - TRAILER HITCH
37.100.AF	03	VAR - 758657, 758658, 758937, 758938 - TRAILER HITCH
37.100.AF	04	VAR - 758657, 758658 - TRAILER HITCH
37.100.AF	05	VAR - 758653, 758654 - TRAILER HITCH
37.100.AF	06	VAR - 758655, 758656, 758861, 758862 - TRAILER HITCH
37.100.AF	07	VAR - 758861, 758862 - TRAILER HITCH
37.106.AA	01	VAR - 758113 - HYDRAULIC TOW HOOK
37.106.AA	02	VAR - 758113 - TOW HOOK, COMPONENTS
37.106.AA	03	VAR - 758113 - TOW HOOK, SUPPORT, COMPONENTS
37.106.AA	04	VAR - 758094 - TOW HOOK
37.106.AB		VAR - 758113 - TOW HOOK, CYLINDER, LINE
37.106.AD		VAR - 758113 - HYDRAULIC TOW HOOK, CYLINDER
37.106.AE		VAR - 758100, 758101, 758102, 758103, 758113 - AUTOMATIC HITCH, TIE-ROD
37.106.AG		VAR - 758100, 758101, 758102, 758103, 758113 - AUTOMATIC HITCH, TIE-ROD, HANDLE
37.110.AE		3 POINT HITCH, SUPPORT
37.110.AQ	01	VAR - 391170, 758071, 758072, 758073, 758074, 758075, 758076, 758077, 758078, 758079 - ROCKSHAFT, LIFT ARM
37.110.AQ	02	VAR - 758075, 758076, 758077, 758078, 758079 - ROCKSHAFT, LIFT ARM
37.120.AA	01	VAR - 391170, 392831, 758075 - 3 POINT HITCH, TOP LINK
37.120.AA	02	VAR - 391170, 392831, 758075 - 3 HITCH POINT, TOP LINK, COMPONENTS
37.120.AA	03	VAR - 392831, 758074, 758079 - 3 POINT HITCH, TOP LINK
37.120.AA	04	VAR - 392831, 758074, 758079 - 3 HITCH POINT, TOP LINK, COMPONENTS
37.120.AA	05	VAR - 392831, 758073, 758078 - 3 POINT HITCH, TOP LINK
37.120.AA	06	VAR - 392831, 758073, 758078 - 3 HITCH POINT, TOP LINK, COMPONENTS
37.120.AF	01	VAR - 391171 - STABILIZER
37.120.AF	03	VAR - 391171 - STABILIZER, COMPONENTS
37.120.AF	05	VAR - 758084 - STABILIZER

TABLE OF CONTENTS

37.120.AF	07	VAR - 758084 - STABILIZER, COMPONENTS
37.120.AF	08	VAR - 758085 - STABILIZER, PLATE
37.120.AF	09	VAR - 758085 - STABILIZER
37.120.AF	11	VAR - 758085 - STABILIZER, COMPONENTS
37.120.AO	01	VAR - 391170, 758075 - 3 POINT HITCH, LOWER LINK
37.120.AO	02	VAR - 391170, 758071, 758072, 758075, 758076, 758077 - 3 POINT HITCH, LOWER LINK
37.120.AO	03	VAR - 758074, 758079 - 3 POINT HITCH, LOWER LINK
37.120.AO	04	VAR - 758074, 758079 - 3 HITCH POINT, LOWER LINK, COMPONENTS
37.120.AO	05	VAR - 758073, 758078 - 3 POINT HITCH, TOP LINK
37.120.AO	06	VAR - 758073, 758078 - 3 HITCH POINT, LOWER LINK, COMPONENTS
37.120.AO	07	VAR - 758071, 758076 - 3 POINT HITCH, LOWER LINK
37.120.AO	08	VAR - 758072, 758077 - 3 POINT HITCH, LOWER LINK
37.120.AO	10	VAR - 391170, 758071, 758072, 758075, 758076, 758077 - 3 HITCH POINT, LINKAGE, HOLDER
37.120.AV	01	VAR - 391170, 758075 - 3 POINT HITCH, LIFT ARM
37.120.AV	02	VAR - 391170, 758074, 758075, 758079 - 3 HITCH POINT, LIFT ARM, COMPONENTS
37.120.AV	03	VAR - 758074, 758079 - 3 POINT HITCH, LIFT ARM
37.120.AV	05	VAR - 758073, 758078 - 3 POINT HITCH, LIFT ARM
37.120.AV	06	VAR - 758071, 758076 - 3 POINT HITCH, LIFT ARM
37.120.AV	07	VAR - 758072, 758077 - 3 POINT HITCH, LIFT ARM
37.120.AY		VAR - 391170, 758071, 758072, 758073, 758074, 758075, 758076, 758077, 758078, 758079 - 3 POINT HITCH, SUPPORT
37.162.AE	01	VAR - 758088, 758089, 758090 - 3 POINT HITCH, FRONT, W/ SUPERSTEER, VALVE
37.162.AE	02	VAR - 758088, 758089, 758090 - 3 POINT HITCH, FRONT, W/ SUPERSTEER, SUPPORT, COMPONENTS
37.162.AE	03	VAR - 758092, 758246 - 3 POINT HITCH, FRONT, W/ SUPERSTEER, SUPPORT
37.162.AE	04	VAR - 758092, 758246 - 3 POINT HITCH, FRONT, W/ SUPERSTEER, SUPPORT, COMPONENTS
37.166.AB	01	VAR - 758088, 758089, 758090, 758092, 758246 - 3 POINT HITCH, FRONT, W/ SUPERSTEER, TOP LINK
37.166.AB	02	VAR - 758088, 758089, 758090, 758092, 758246 - 3 POINT HITCH, FRONT, W/ SUPERSTEER, TOP LINK, COMPONENTS
37.166.AB	03	VAR - 758088, 758089, 758090, 758091, 758092, 758093, 758245, 758246, 758247 - 3 POINT HITCH, FRONT, INTEGRATED HYDRAULIC LIFT, TOP LINK
37.166.AB	04	VAR - 758088, 758089, 758090, 758091, 758092, 758093, 758245, 758246, 758247 - 3 POINT HITCH, FRONT, INTEGRATED HYDRAULIC LIFT, TOP LINK, COMPONENTS
37.166.AD	01	VAR - 758088, 758089, 758090 - 3 POINT HITCH, FRONT, W/ SUPERSTEER, LIFT ARM
37.166.AD	02	VAR - 758092, 758246 - 3 POINT HITCH, FRONT, W/ SUPERSTEER, LIFT ARM
37.166.AD	03	VAR - 758088, 758089, 758090, 758091, 758092, 758093, 758245, 758246, 758247 - 3 POINT HITCH, FRONT, INTEGRATED HYDRAULIC LIFT, LIFT ARM
37.166.AE	01	VAR - 758088, 758089, 758090, 758092, 758246 - 3 POINT HITCH, FRONT, W/ SUPERSTEER, LINK
37.166.AE	02	VAR - 758088, 758089, 758090, 758091, 758092, 758093, 758245, 758246, 758247 - 3 POINT HITCH, FRONT, INTEGRATED HYDRAULIC LIFT, LINK
39.000.00		SECTION INDEX - FRAMES AND BALLASTING
39.110.AC	01	VAR - 758088, 758089, 758090 - 3 POINT HITCH, FRONT, W/ SUPERSTEER, HOOK

**Thanks very much for your reading,
Want to get more information,
Please click here, Then get the complete
manual**

JustClickHere 

NOTE:

**If there is no response to click on the link above,
please download the PDF document first, and then
click on it.**

**Have any questions please write to me:
admin@servicemanualperfect.com**